

HOSHIZAKI

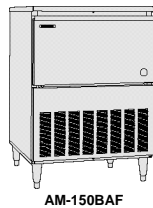
AM-150B_F
Item # 13149 02/04

AM-150B_F SERIES

AM-150BAF
Air-Cooled
AM-150BWF
Water-Cooled



AM-150BAF



AM-150BAF

ICEMAKER DIMENSION

Width x Depth x Height

AM-150B_F

27 11/16 X 27 15/16 X 39"

*With 6" Legs

- Durable stainless steel exterior
- Undercounter design is less than 34 inches tall (Excluding legs)
- Up to 150 lbs. of ice production per 24 hours
- Up to 88 lbs. of built-in storage capacity
- Easily disassembled water circuit for easy cleaning
- Front in, front out airflow (Air-Cooled only)
- Fewer moving parts for longer life
- Drop down door



Open cell evaporator



© HOSHIZAKI AMERICA, INC.

618 Hwy. 74 S., Peachtree City, GA30269

TEL1-800-438-6087



Reliability is a beautiful thing™

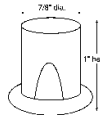
FAX 1-800-345-1325

www.hoshizaki.com

SELF-CONTAINED CUBER WITH BUILT-IN STORAGE BIN

SELF-CONTAINED CUBER WITH BUILT-IN STORAGE BIN

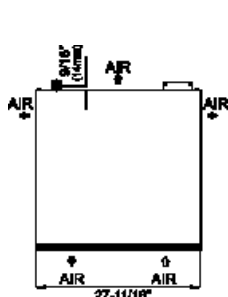
AM-150BAF (AIR-COOLED)
 AM-150BWF (WATER-COOLED)



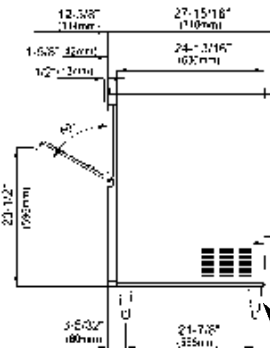
- Up to 150 lbs. of ice production per 24 hours
- Up to 88 lbs. of built-in storage capacity



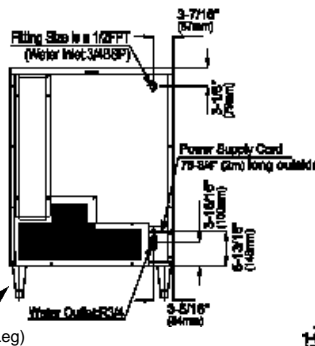
| WARRANTY THREEYEAR - Parts & Labor on entire machine FIVEYEAR - Parts on compressor, and air cooled condenser coil FIVEYEAR - Parts on evaporator Warranty valid in United States, Canada, Puerto Rico, & U.S. Territories. Contact Factory for Warranty in other Countries. | | AIR - COOLED & WATER - COOLED Water Temp' F. - 50° Air Temp' F. - 70° | | | | | | | | | | | | | | | | | | | |
|--|--------------------------|---|------------------------------------|--------------------------------------|--|--|--------------|--------------------------|------------------|------------------------------------|--------------------------------------|-----------|----------------------|------|----|----------|-----------|----------------------|-----|----|----------|
| STORAGE BINS Up to 88 lb. Capacity Built-in Bin | | UTILITY CONSUMPTION (Air 70F°/Water 50° F) | | | | | | | | | | | | | | | | | | | |
| OPERATING LIMITS Ambient Temp Range 50 - 100° F Water Temp Range 41 - 90° F Voltage Range 104 - 127V Water Pressure 7 - 113 psig | | <table border="1"> <thead> <tr> <th>Model Number</th> <th>Ice Production Per Cycle</th> <th>KWH per 100 lbs.</th> <th>Potable Water Gallons per 100 lbs.</th> <th>Condenser Water Gallons per 100 lbs.</th> </tr> </thead> <tbody> <tr> <td>AM-150BAF</td> <td>1.87 Lbs. / 60 Cubes</td> <td>10.6</td> <td>31</td> <td>NA</td> </tr> <tr> <td>AM-150BWF</td> <td>1.78 Lbs. / 60 Cubes</td> <td>9.0</td> <td>31</td> <td>92</td> </tr> </tbody> </table> | | | | | Model Number | Ice Production Per Cycle | KWH per 100 lbs. | Potable Water Gallons per 100 lbs. | Condenser Water Gallons per 100 lbs. | AM-150BAF | 1.87 Lbs. / 60 Cubes | 10.6 | 31 | NA | AM-150BWF | 1.78 Lbs. / 60 Cubes | 9.0 | 31 | 92 |
| Model Number | Ice Production Per Cycle | KWH per 100 lbs. | Potable Water Gallons per 100 lbs. | Condenser Water Gallons per 100 lbs. | | | | | | | | | | | | | | | | | |
| AM-150BAF | 1.87 Lbs. / 60 Cubes | 10.6 | 31 | NA | | | | | | | | | | | | | | | | | |
| AM-150BWF | 1.78 Lbs. / 60 Cubes | 9.0 | 31 | 92 | | | | | | | | | | | | | | | | | |
| R - 404 A REFRIGERANT | | SPECIFICATIONS | | | | | | | | | | | | | | | | | | | |
| | | <table border="1"> <thead> <tr> <th>Model Number</th> <th>Condenser</th> <th>Amperage</th> <th>Min. Circuit Ampacity</th> <th>Shipping Weight</th> </tr> </thead> <tbody> <tr> <td>AM-150BAF</td> <td>Air-Cooled</td> <td>8.8</td> <td>NA</td> <td>185 lbs.</td> </tr> <tr> <td>AM-150BWF</td> <td>Water-Cooled</td> <td>7.0</td> <td>NA</td> <td>180 lbs.</td> </tr> </tbody> </table> | | | | | Model Number | Condenser | Amperage | Min. Circuit Ampacity | Shipping Weight | AM-150BAF | Air-Cooled | 8.8 | NA | 185 lbs. | AM-150BWF | Water-Cooled | 7.0 | NA | 180 lbs. |
| Model Number | Condenser | Amperage | Min. Circuit Ampacity | Shipping Weight | | | | | | | | | | | | | | | | | |
| AM-150BAF | Air-Cooled | 8.8 | NA | 185 lbs. | | | | | | | | | | | | | | | | | |
| AM-150BWF | Water-Cooled | 7.0 | NA | 180 lbs. | | | | | | | | | | | | | | | | | |



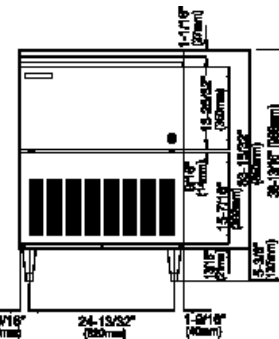
Air-Cooled Model Top Dimensions



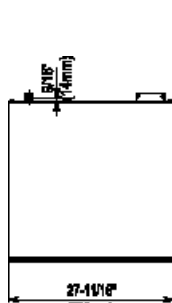
Air-Cooled Model Side Dimensions



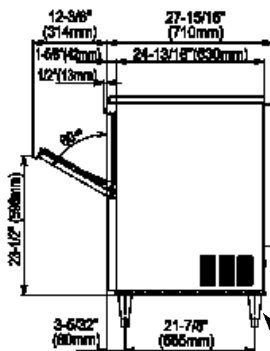
Air-Cooled Model Back Dimensions



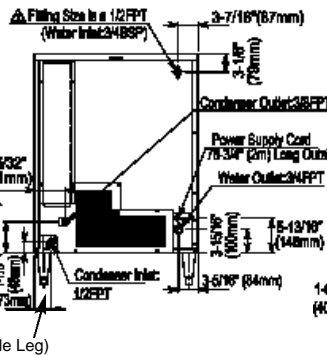
Air-Cooled Model Front Dimensions



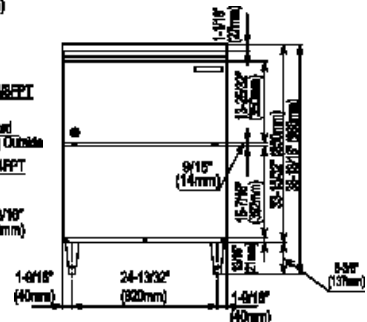
Water-Cooled Model Top Dimensions



Water-Cooled Model Side Dimensions



Water-Cooled Model Back Dimensions



Water-Cooled Model Front Dimensions

We reserve the right to change specifications without notice.

© HOSHIZAKI AMERICA, INC.

618 Hwy. 74 S., Peachtree City, GA30269

TEL1-800-438-6087

FAX 1-800-345-1325

www.hoshizaki.com

Printed in U.S.A.